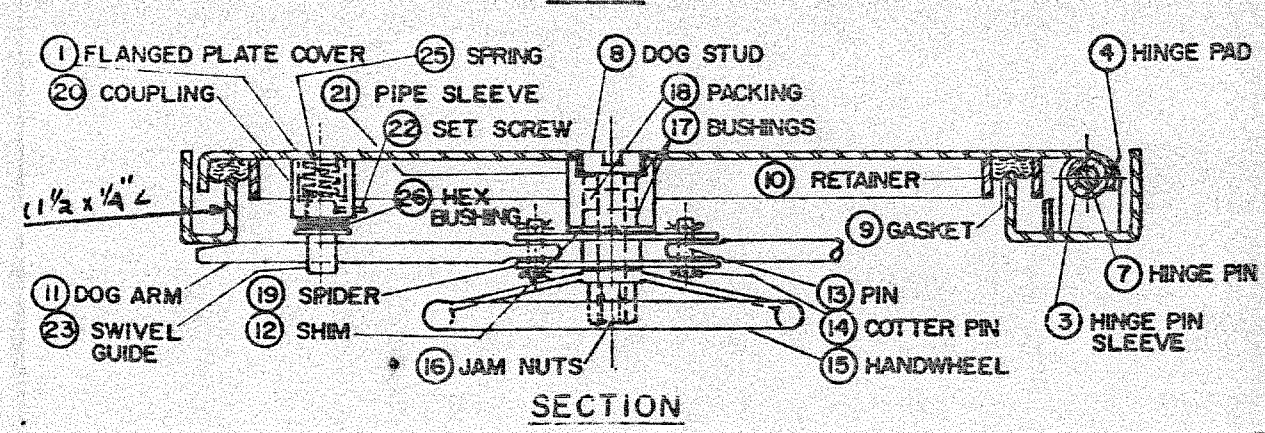


PLAN



SECTION

SCHEDULE OF MATERIALS		
PC. NO.	MATERIAL	REMARKS
1	MILD STEEL	1/4" TP
2	MILD STEEL	3/8" X 2"
3	MILD STEEL	
4	MILD STEEL	
5	BRASS	
6	BRASS	
7	COLD FINISH	
8	MILD STEEL	
9	NEOPRENE	
10	MILD STEEL	
11	MILD STEEL	
12	BRASS	
13	COLD FINISH	
14	MILD STEEL	
15	MILD STEEL	
16	MILD STEEL	
17	DELFIN	
18	GRAPHITE	
19	MILD STEEL	
20	MILD STEEL	
21	MILD STEEL	
22	MILD STEEL	
23	BRASS	
24	MILD STEEL	
25	SPRING STEEL	
26	MILD STEEL	

Mississippi Marine
 Greenville, Miss.
 P.O. # 24031
 HULL # 90
 LOCATION: 12' OFF & TO STD. SIDE
 Cen-Tex Shop Order # 2491
 3-24-61
 CEN-TEX MARINE FABRICATORS, INC.
 SMITHVILLE, TEXAS
 FLUSH QUICK ACTING WATERTIGHT ROUND SCUTTLE
 DRAWING NO. 401-10